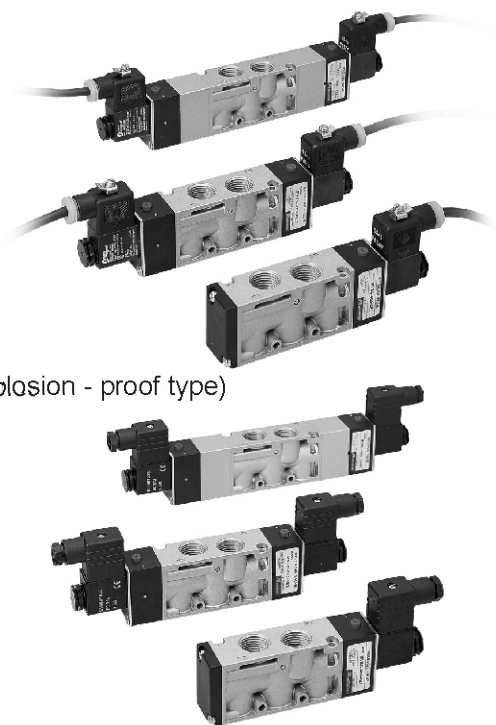


MVSC-460 series

SOLENOID VALVE



(Explosion - proof type)

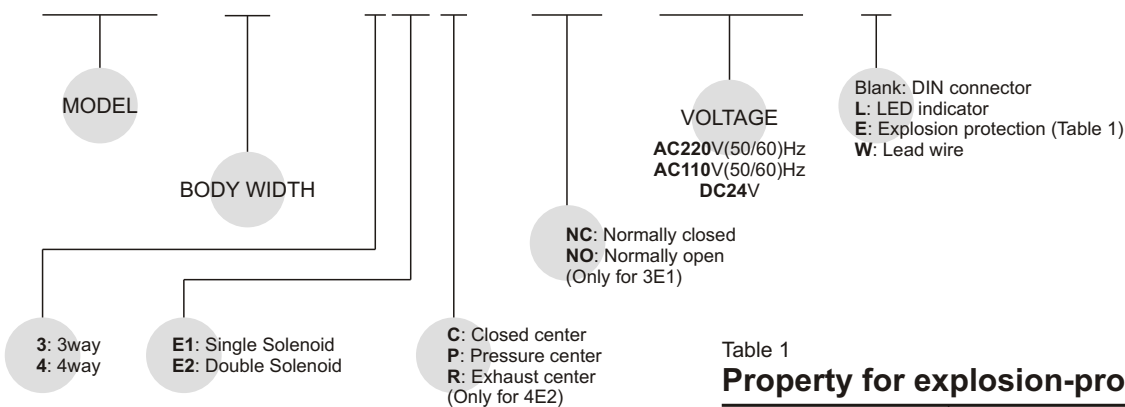
Specification:

Model	MVSC-460-3E1,3E2	MVSC-460-4E1,E2	MVSC-460-4E2C.P.R
Bore No.	15A		
Port size	G 1/2		
No. of port	3	5	
No. of position	2	2	3
Medium	Air		
Operating pressure range	2~7 kgf/cm ²		3~7 kgf/cm ²
Proof pressure	10.5 kgf/cm ²		
Effective orifice	50 mm ²		30 mm ²
Response time	50 ms		
Ambient temperature	- 5~ + 50°C (No freezing)		
Voltage	AC110V, 220V (50/60)Hz, DC24V		
Power consumption	AC=6/4.9VA DC=2.5W		
Available voltage range	± 10%		
Insulation class	F class		
Weight	353 g	437 g	330 g 452 g 634 g

※ Port thread PT. NPT. are also available.

Order example of valve:

MVSC - 460 - 4E2C - NC - AC110 - L



Order example of manifold:

MVSC - 460 - 5B3 - PT

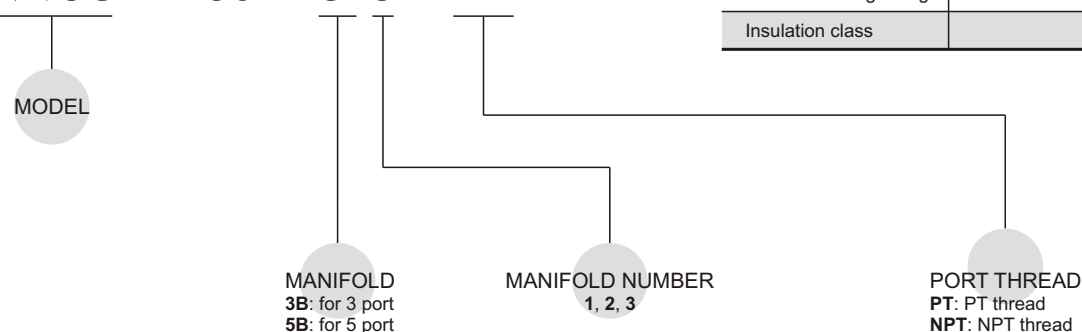


Table 1
Property for explosion-proof type

Anti-explosion class	EEx m II T4
Voltage	AC110V, 220V, (50/60)Hz, DC24V.
Power consumption	AC=4.4VA DC=5W
Available voltage range	± 10%
Insulation class	F class

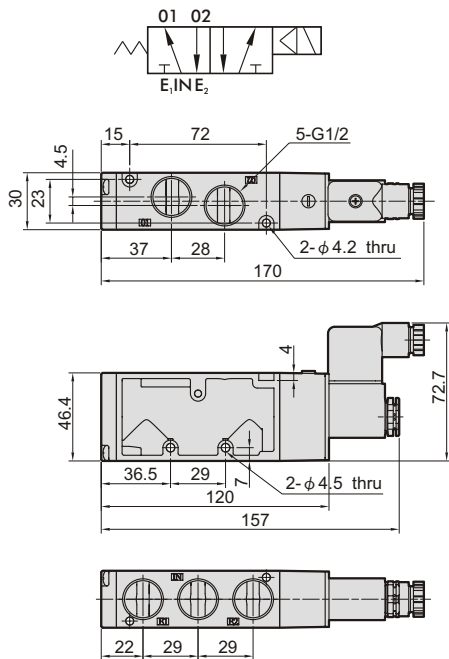
MVSC-460

SOLENOID VALVE

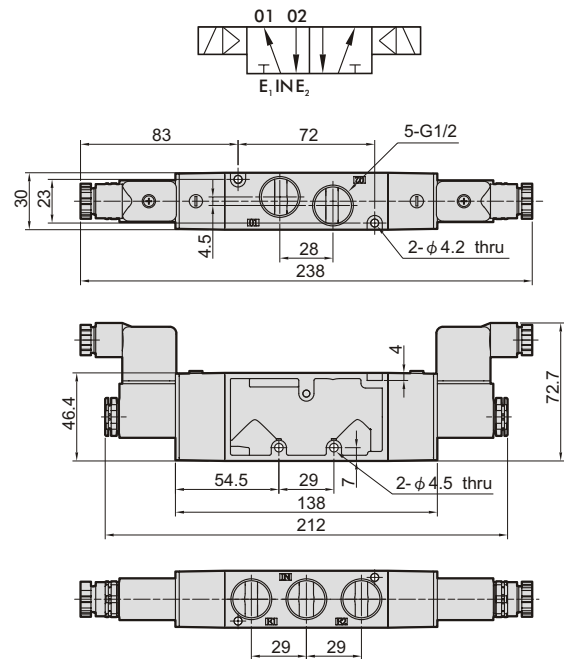


Dimensions:

MVSC-460-4E1



MVSC-460-4E2

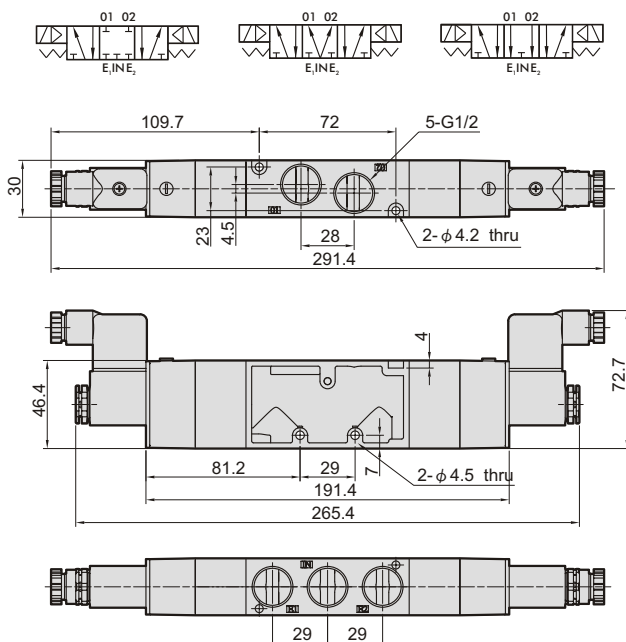


MVSC-460-4E2C.P.R

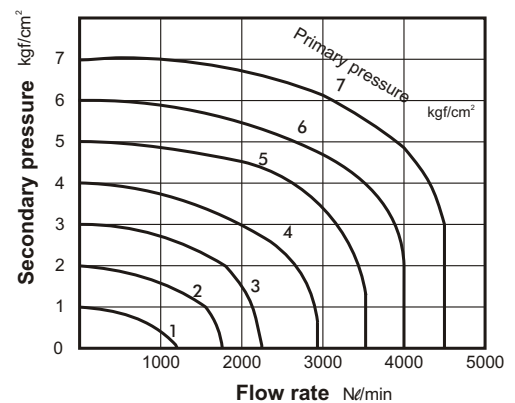
MVSC-460-4E2C

MVSC-460-4E2P

MVSC-460-4E2R



Flow features:



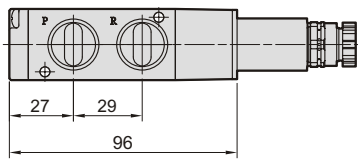
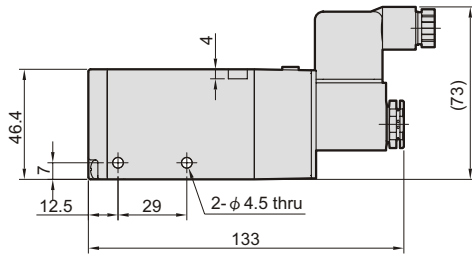
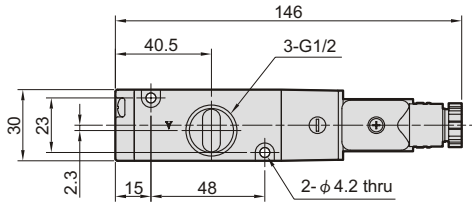
MVSC-460

SOLENOID VALVE

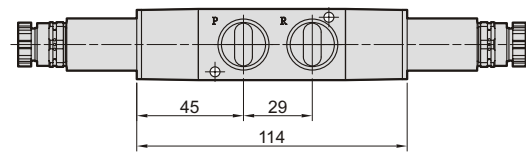
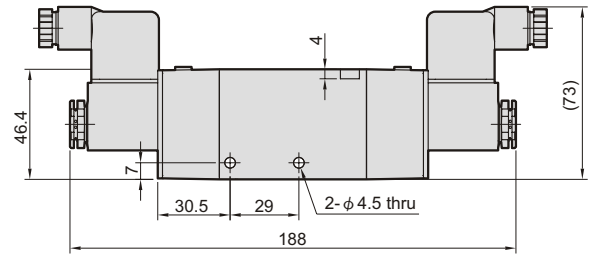
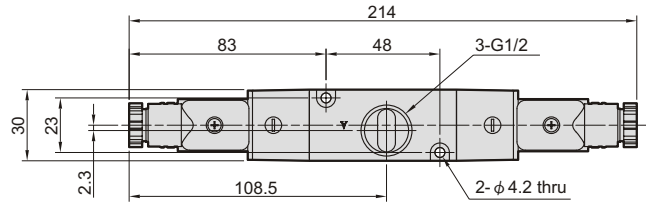


Dimensions:

MVSC-460-3E1-NC/NO

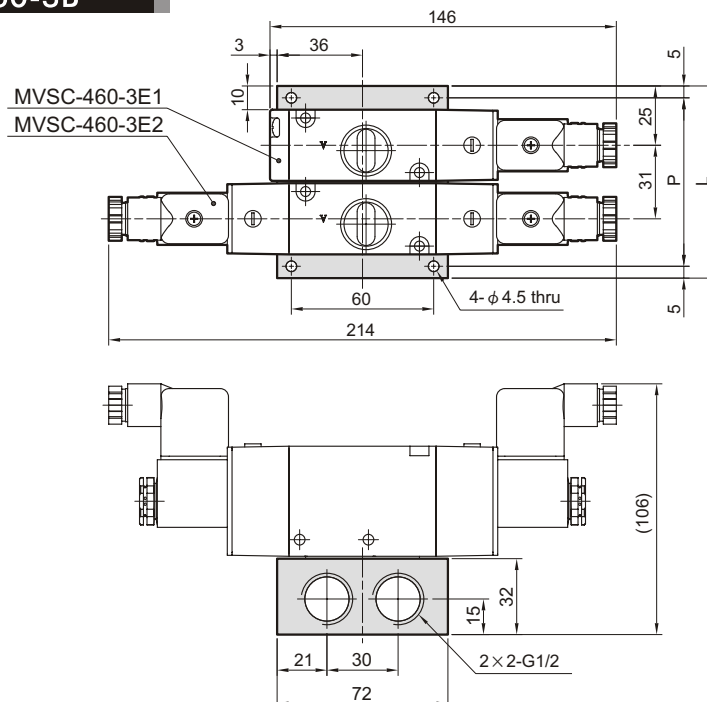


MVSC-460-3E2



Manifold of solenoid valve:

MVSC-460-3B*



No. of stations	P	L
2	71	81
3	102	112
4	133	143
5	164	174
6	195	205
7	226	236
8	257	267
9	288	298
10	319	329

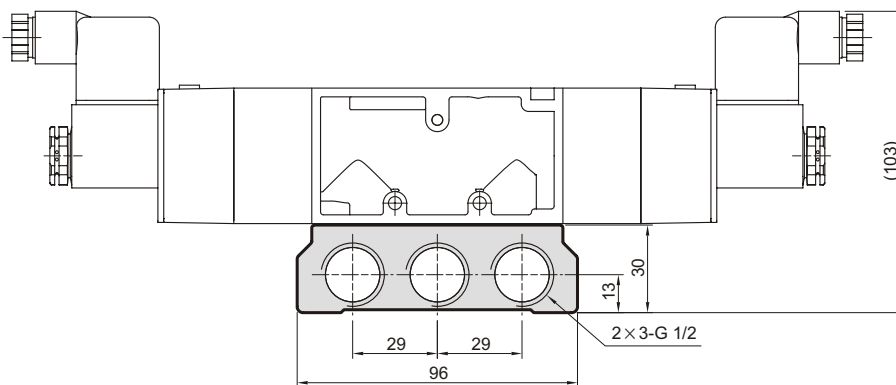
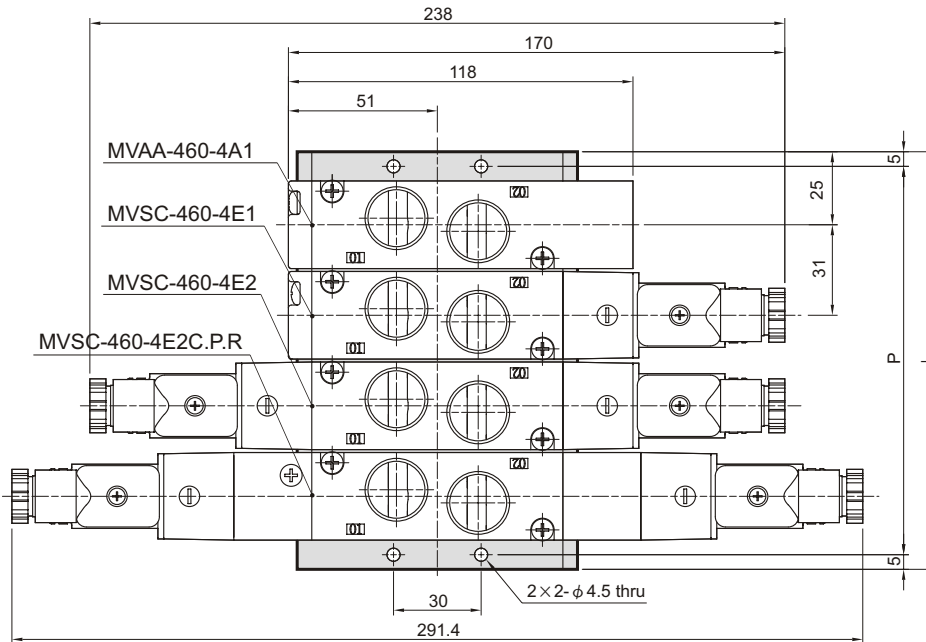
MVSC-460

SOLENOID VALVE



Manifold of solenoid valve:

MVSC-460-5B*



No. of stations	P	L
2	71	81
3	102	112
4	133	143
5	164	174
6	195	205
7	226	236
8	257	267
9	288	298
10	319	329